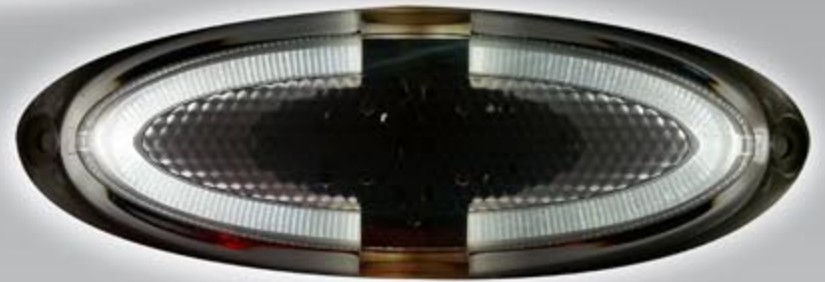
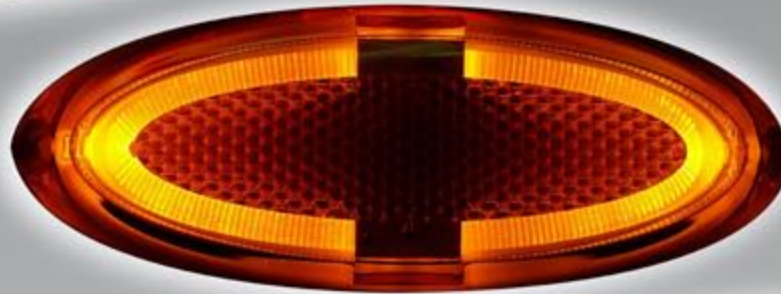


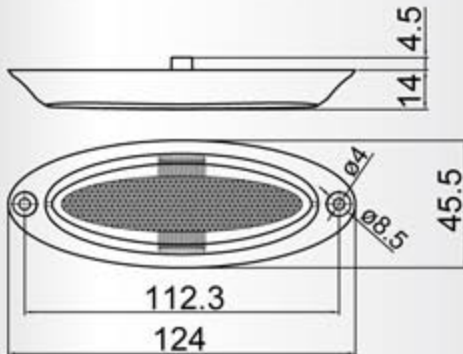
Clearance / Marker Lamp

SHIN CHIN INDUSTRIAL CO., LTD.



C2-7121A/R/W

- Light-guided design with retro-reflector.
- Nominal/ Input DC Voltage : 12V or 12-24V DC
- Nominal Current at : 0.07A@13.5V
- Body : ASA, white
- Lens : PMMA
- IP Rating : 67
- EMI : ECE R10
- Operation Temperature : -30°C ~ +65°C
- Approval : ECE R7/ R91



	C2-7121A	Side Marker
	C2-7121R	Rear Position
	C2-7121W	Front Position

